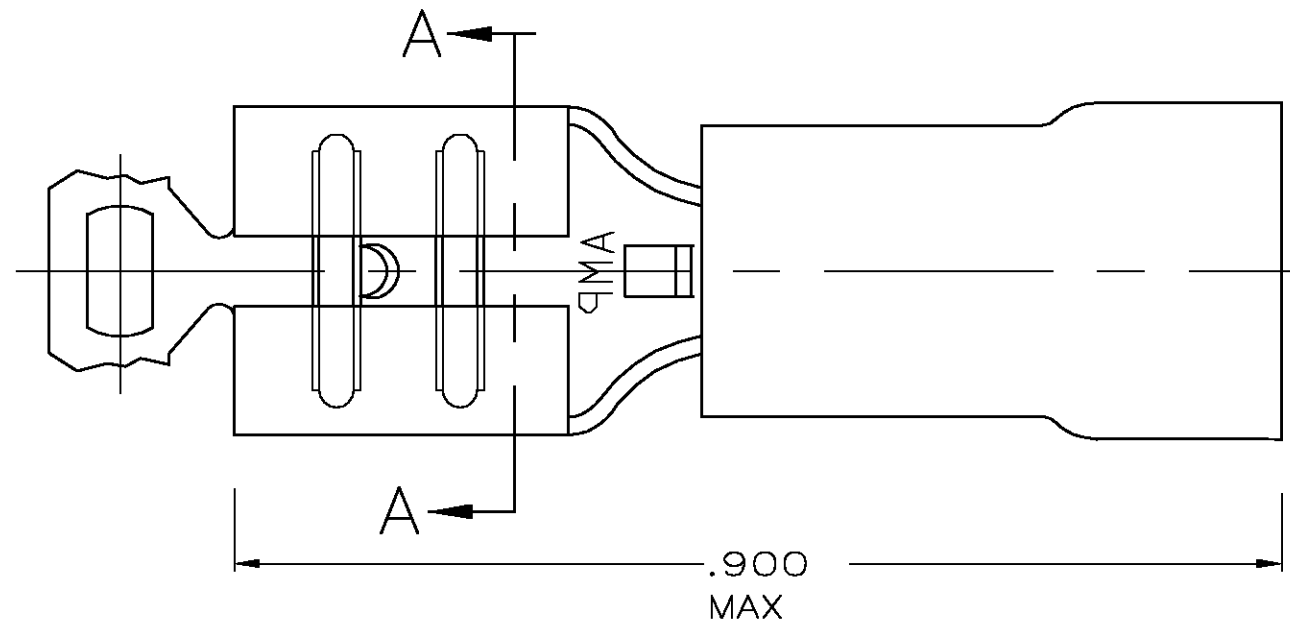
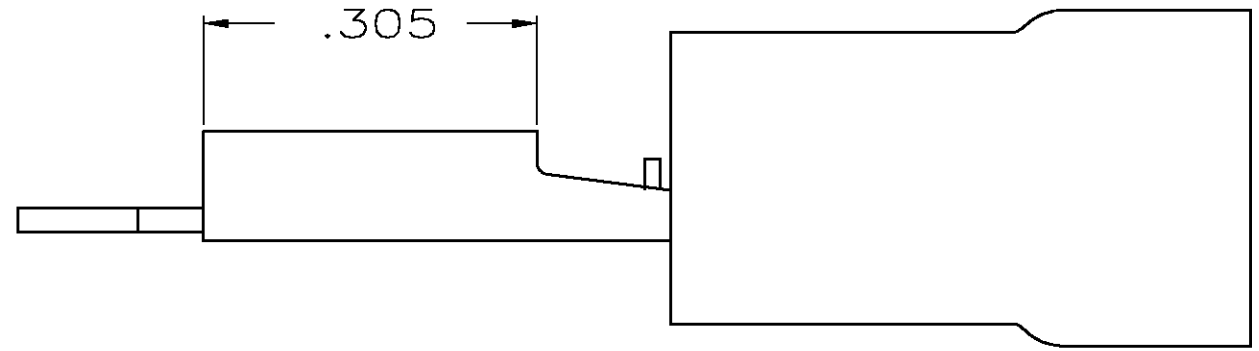


THIS DRAWING IS UNPUBLISHED. RELEASED FOR PUBLICATION  
 © COPYRIGHT BY TYCO ELECTRONICS CORPORATION. ALL RIGHTS RESERVED.

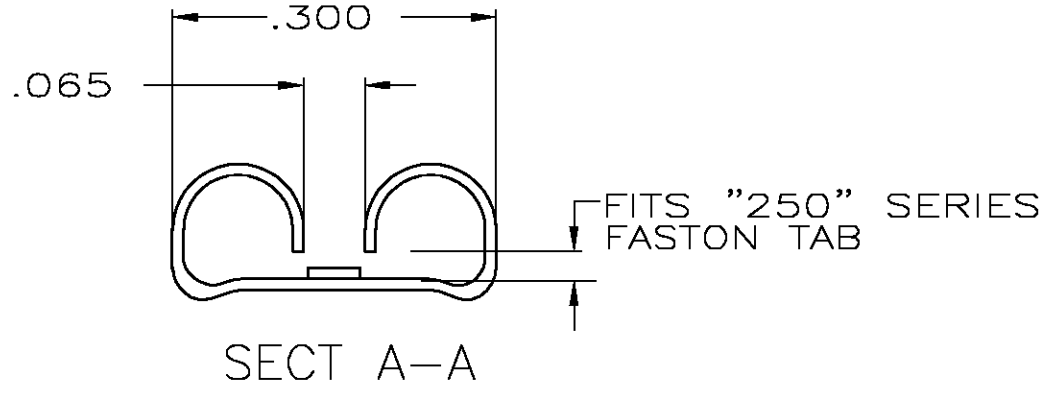
LOC	DIST	REVISIONS				
P	LTR	DESCRIPTION	DATE	DWN	APVD	
G	14	CE	REV PER 0G3A-0319-03	27MAY03	JR TM	



- 1. INSULATION DIA .140 MAX
- 2. FITS TAB .032 THK



AMP WIRE RANGE	FILE	LR7189 Certified
22-18 AWG STRANDED	E66717	
22-18 AWG STRANDED	22-18 AWG STRANDED	22-18 AWG STRANDED



-	-	640902-1
QTY	PACKAGE TYPE	PART NO

**AMP INCORPORATED**  
**CUSTOMER SERVICE SYSTEMS**

FOR ADDITIONAL PRODUCT INFORMATION OR COPIES OF DRAWINGS AND TECHNICAL DOCUMENTS	PRODUCT INFORMATION CENTER 1-800-522-6752
FOR APPLICATION TOOLING INFORMATION	TOOLING ASSISTANCE CENTER 1-800-722-1111
FOR ORDER ENTRY	1-800-526-5142

MAX RECOMMENDED OPERATING TEMPERATURE:  
105° C

VOLTAGE RATING:  
300V MAX

CIRCULAR MIL AREA:  
509-1,900  
STRANDED

THIS DRAWING IS A CONTROLLED DOCUMENT.

DIMENSIONS:	TOLERANCES UNLESS OTHERWISE SPECIFIED:
INCHES	
0 PLC	± -
1 PLC	± -
2 PLC	± .015
3 PLC	± -
4 PLC	± -
ANGLES	± -

MATERIAL: BODY, BRASS .018

FINISH: BODY, TIN

DWN	26JUN95	<b>tyco</b> <b>Electronics</b>	Tyco Electronics Corporation Harrisburg, PA 17105			
CHK	26JUN95		NAME			
APVD	26JUN95		RECEPTACLE, 250 SERIES, FASTON, PIDG, 22-18			
PRODUCT SPEC		UL 310	SIZE	CAGE CODE	DRAWING NO	RESTRICTED TO
APPLICATION SPEC		114-1002	A3	00779	640902	-
WEIGHT		-	SCALE		SHEET	REV
CUSTOMER DRAWING			6:1		1 OF 1	CE